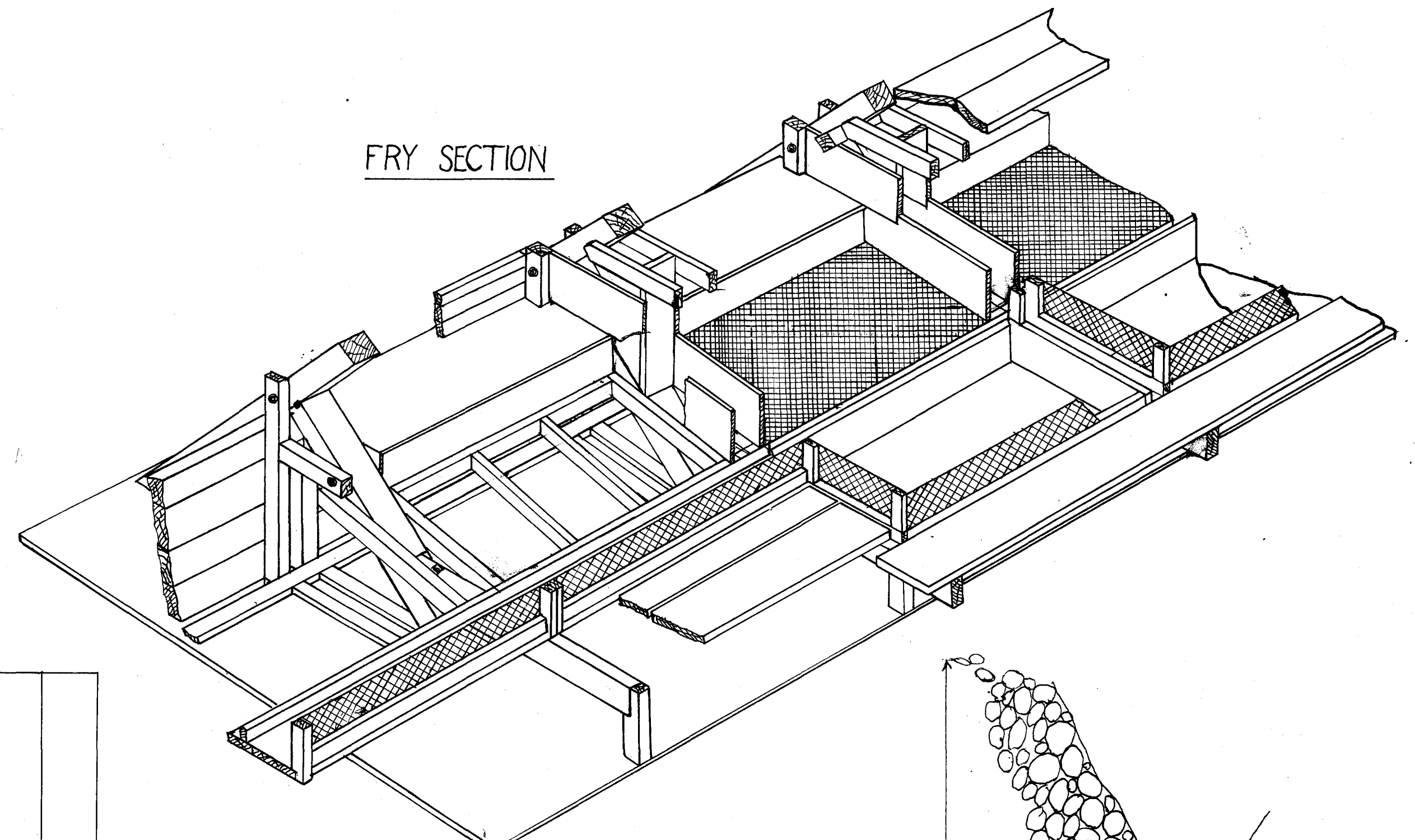
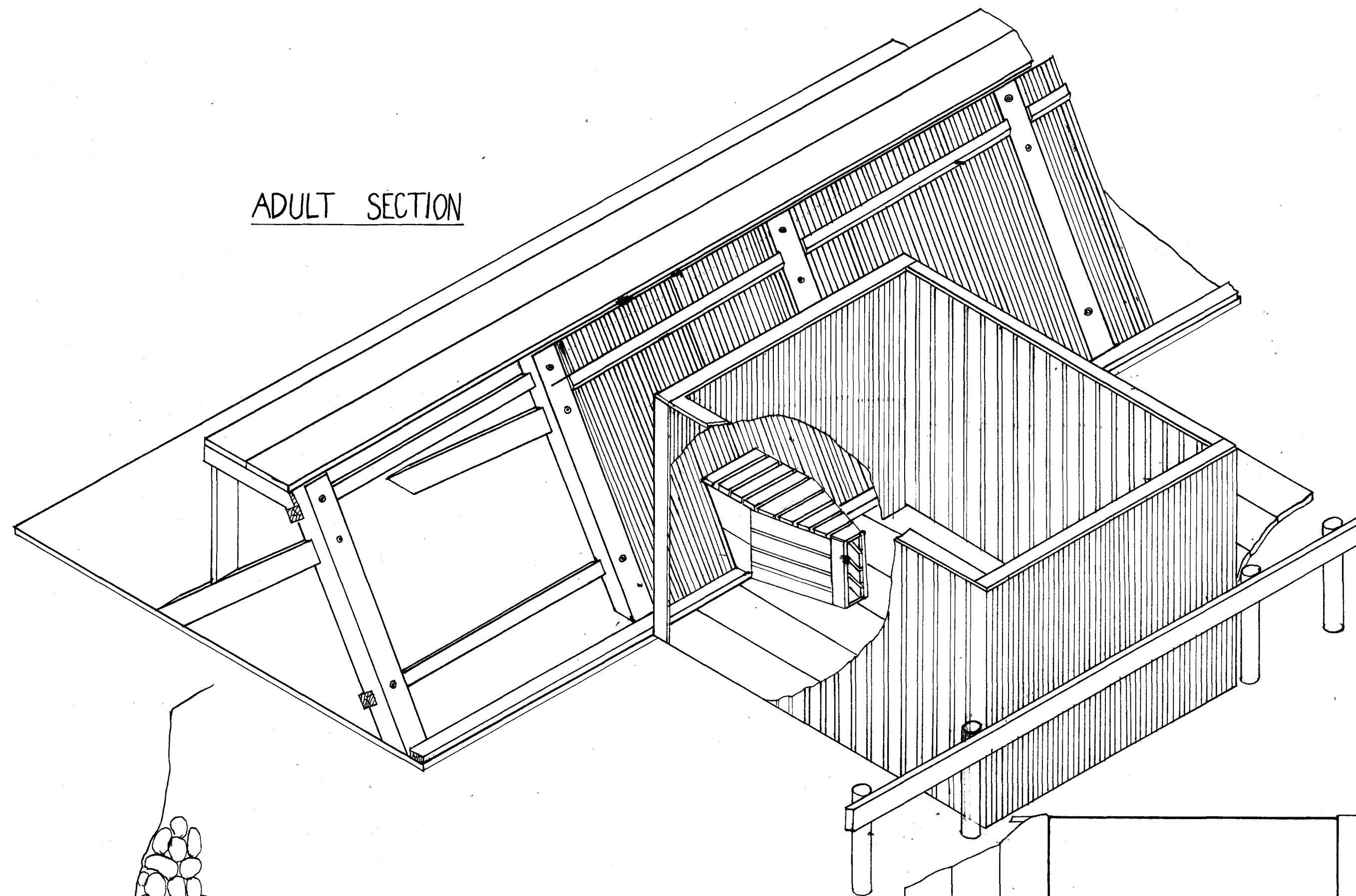
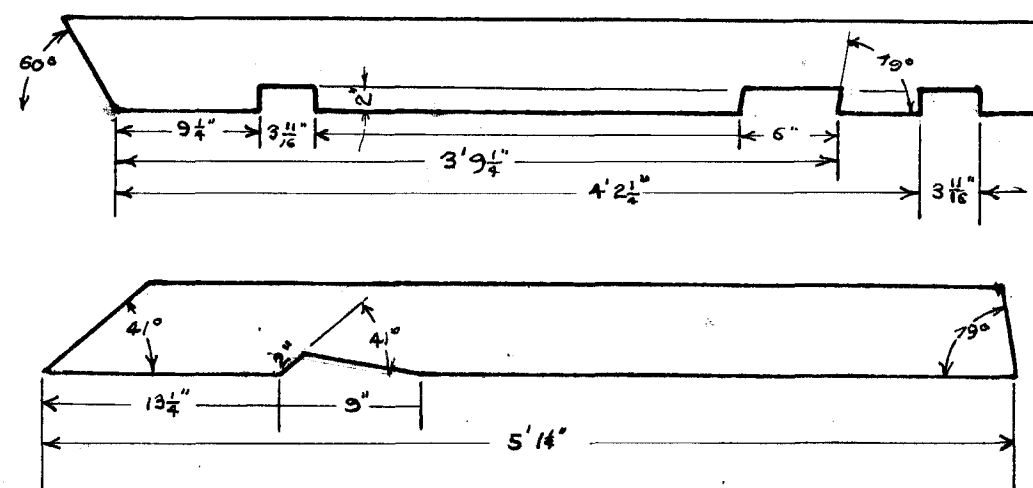


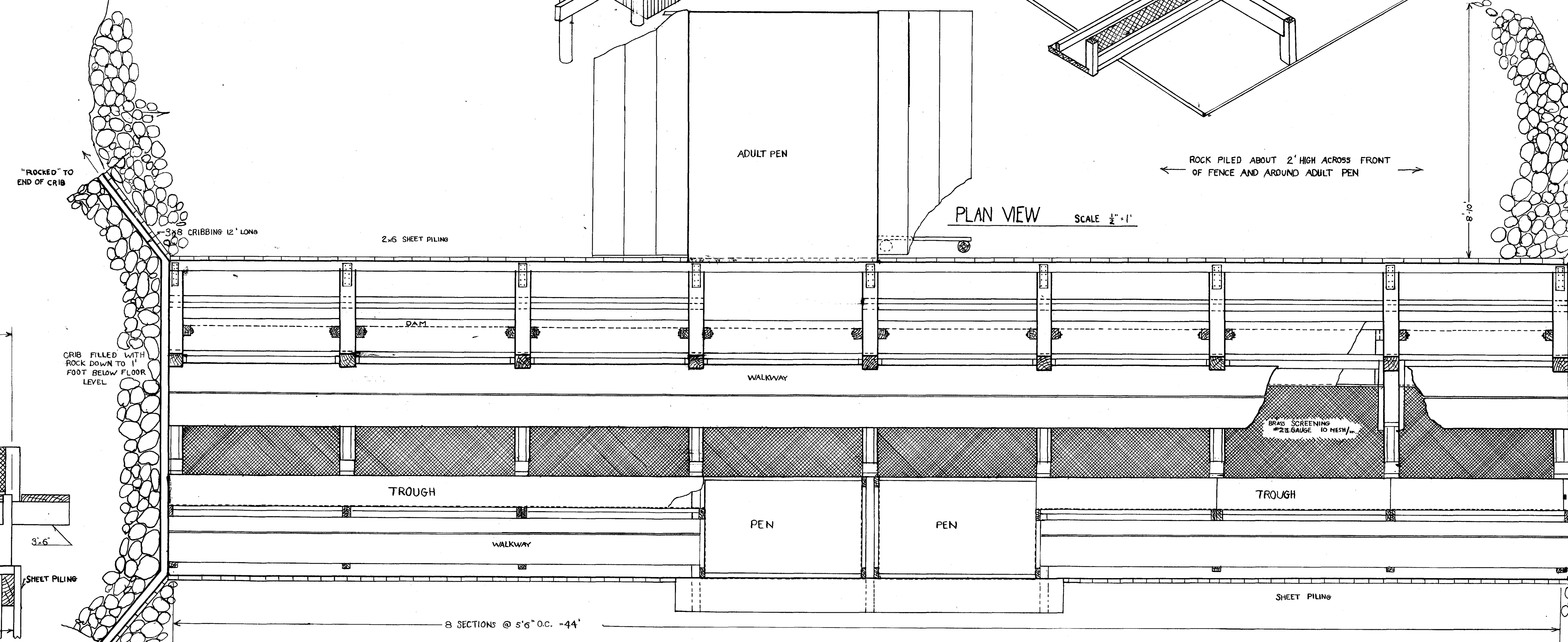
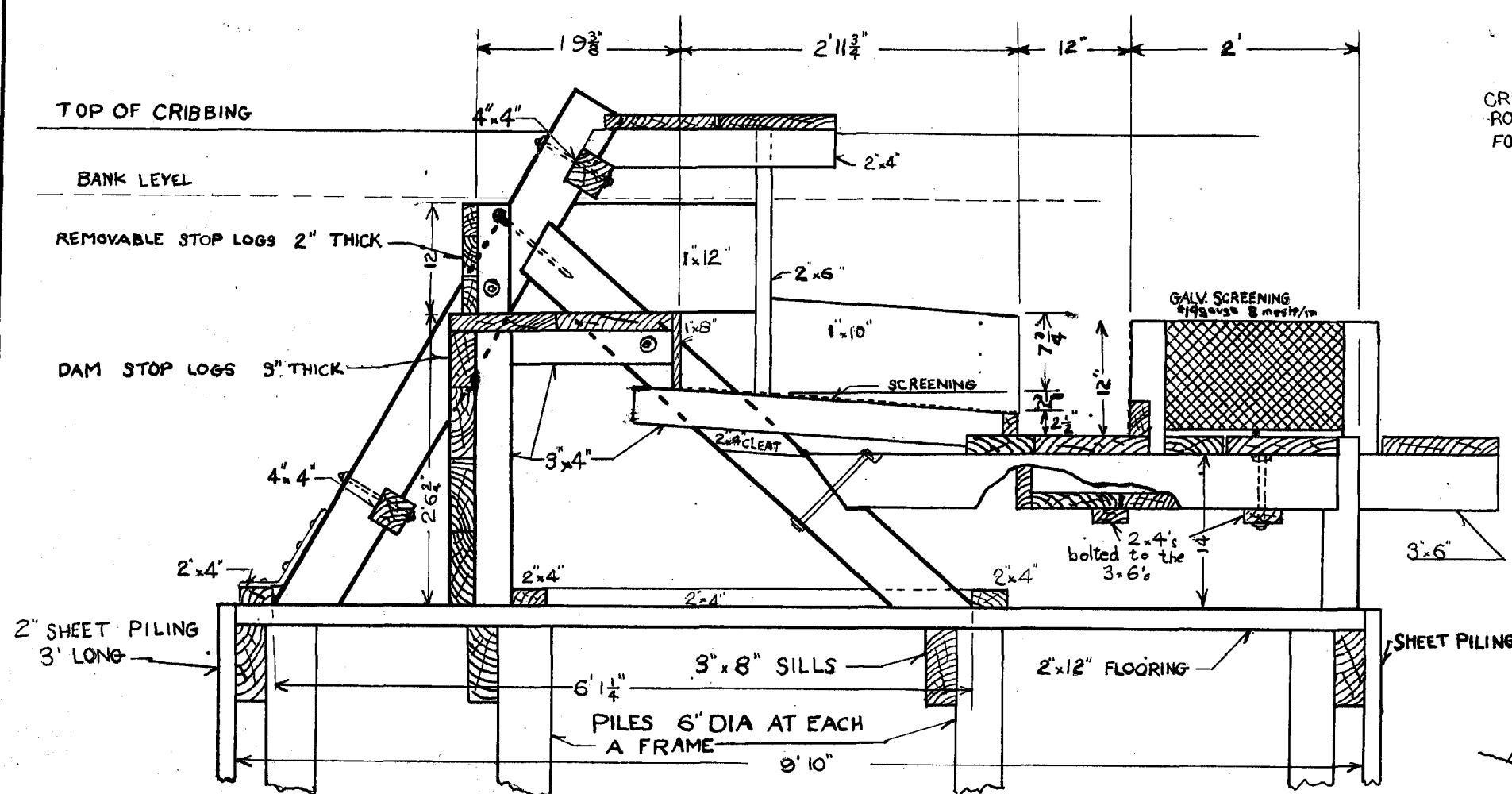
MATERIAL LIST			
No. of Pieces	SIZE	No. of Bd. ft.	PART
18	6" x 6" x 6"	324	A-frames
8	4" x 4" x 12"	128	Frame stringers
8	2" x 12" x 12"	192	Walkway planks
3000	1" x 4"	1000	Slots for adult panels
400	2" x 4"	266	Walkways, etc.
55	2" x 12" x 12"	1320	Flooring
7	2" x 12" x 10"	140	Walkway for pen
350	3" x 6" In mult. of 6'	525	Dam, supports etc.
350	2" x 12" " " "	700	Floor of spillway
80	2" x 10' " " "	133	Troughs, pens, etc.
250	2" x 4'	166	pen's walkway stripping etc.
150	3" x 4'	150	bracing
8	1" x 8" x 6'	32	Facing of spillway
16	1" x 10" x 3'	40	Siding of screens
16	1" x 12" x 3'	48	Sides of spillway
18	3" x 8" x 12' (rough)	432	Floor stringers
42	3" x 8" x 12' "	1008	Cribbing
450	2" x 6'	450	Sheet piling
96	6" DIA x 6'		Floor piles
22	6" DIA x 10'		Cribbing and pen piles
3	Angle brackets, 3/8" x 3"		Fastening A-frames
18	12" bolts 1/2"		
9	11" bolts 1/2"		
9	Drift pins 12" 1/2"		
18	8" bolts 1/2"		
6	8" bolts 3/8"		
50*	8" nails		
125*	2 1/2" galv. nails		
50*	6" nails		
40	3' wide brass screening 1/8" x 10 M/in		
55	1' wide galv screening 1/8" x 10 M/in		
3"	5/8" x 13 galv staples		



DETAIL OF A-FRAMES 9 of each SCALE 1"=1'



CROSS-SECTION VIEW SCALE 3/4"=1'



PLAN VIEW SCALE 1/2"=1'

FISHERIES RESEARCH BOARD
OF CANADA
FISH COUNTING FENCE
FOR SCULLY CREEK
Drawn by WDCRIPPS
SEPT 1 1949